



## Inside clamping beveling machine type US25



**machining capacity:**

25 mm ID – 90 mm OD

**clamping capacity:**

25 mm ID – 107 mm ID

**bevel forms:**

Facing, 30 and 37°30 bevel, J-bevel, others on request

**clamping:**

manual with key

**Expansion:**

10 mm

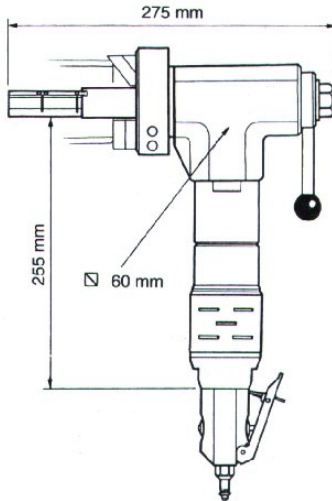
**feed stroke:** 35 mm

**cutting head gear drive:**

150 rpm off-load speed, 70 rpm nominal speed

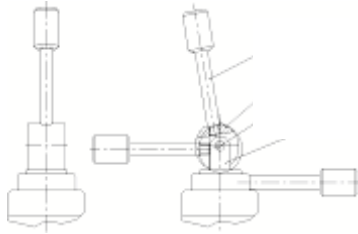
Machine is delivered with:

- tool holder plate
- sets of clamping blades for above mentioned diameter
- 1 tool bit 90°, 1 tool bit 30°
- keys and screws
- operating manual

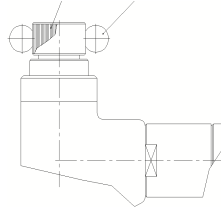




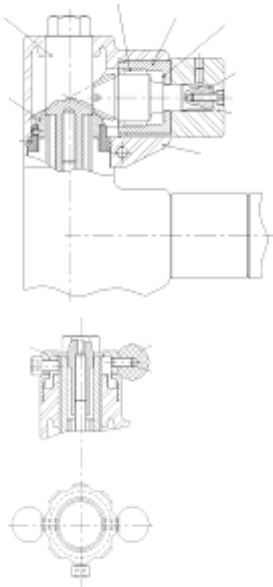
US25-1



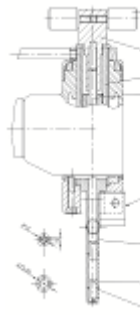
US25-2



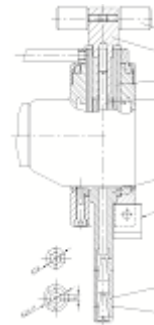
US25-4



US25-OM1



US25-OM2



Other options on request